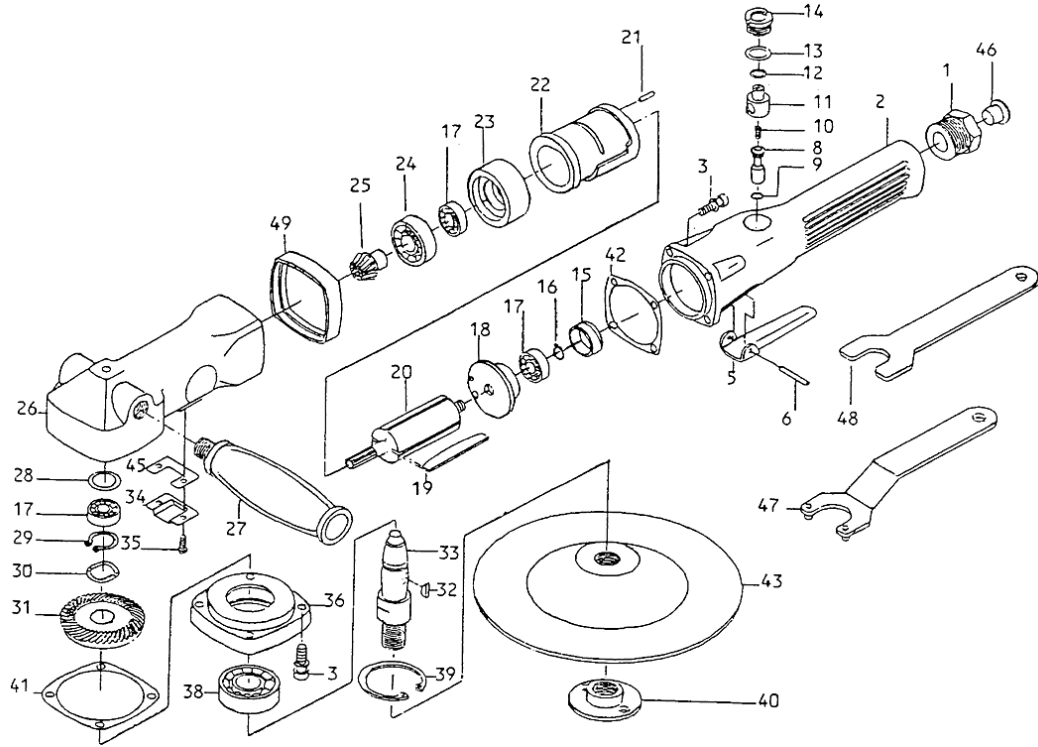


GP-0472 7" ANGLE POLISHER



PARTS DESCRIPTION

<u>NO.</u>	<u>DESCRIPTION</u>
01.	HOSE ADAPTER
02.	VALVE BODY
03.	CAP SCREW (8)
05.	LEVER
06.	SPRING PIN
08.	VALVE STEM
09.	"O" RING
10.	SPRING
11.	AIR REGULATOR
12.	"O" RING
13.	"O" RING
14.	VALVE SCREW
15.	BEARING RUBBER CAP
16.	RETAINING RING
17.	BALL BEARING (3)
18.	REAR PLATE
19.	ROTOR BLADE (4)
20.	ROTOR
21.	SPRING PIN
22.	CYLINDER
23.	FRONT PLATE
24.	BALL BEARING
25.	PINION GEAR

PARTS DESCRIPTION

<u>NO.</u>	<u>DESCRIPTION</u>
26.	MOTOR HOUSING
27.	DEAD HANDLE
28.	BEARING PLATE
29.	RETAINING RING
30.	WAVE WASHER
31.	BEVEL GEAR
32.	KEY
33.	GEAR SHAFT
34.	EXHAUST DEFLECTOR
35.	SCREW (2)
36.	HOUSING CAP
38.	BALL BEARING
39.	RETAINING RING
40.	PAD NUT
41.	GASKET
42.	GASKET
43.	PAD (PLASTIC)
44.	WOOL POLISHER
45.	GASKET
46.	PLASTIC COVER
47.	DISC SPANNER
48.	STOP SPANNER
49.	RUBBER